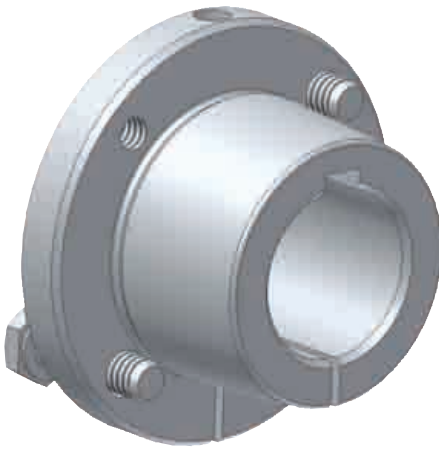


## “SHORT” QD BUSHINGS

Usage: For applications when the full bore length is not needed, such as in conveyor applications or with a roller chain sprocket.



### DID YOU KNOW THAT...

- All sizes with a shallow keyseat are in DUCTILE iron for greater strength
- Same features as the standard QD bushing with the exception that the total length is reduced to adapt to a QD weld-on hub
- Full, not partial split
- Sizes J, M, N, P, W (S is available in rough bore only)

### HOW TO ORDER

EXAMPLE: **MSX4-7/16**

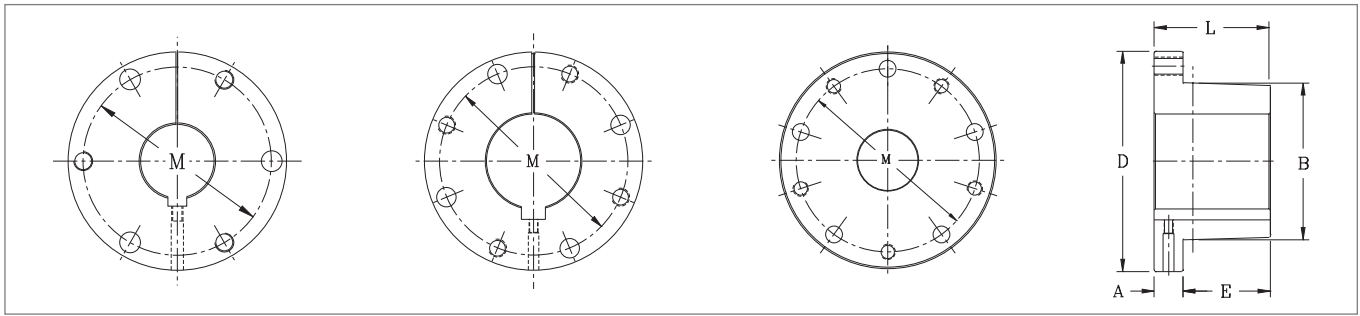
**MS**    **X4-7/16**

**MS:**        BUSHING SIZE

**X4-7/16:** BORE SIZE (4-7/16")

Inch bore sizes are designated with the whole inch followed by the fraction. For example, a 1.5" diameter bore would be 1-1/2.





Bushing  
"JS"

Bushing "MS  
to WS" Inclusive

Bushing  
"SS"

Taper  
3/4" per FT on  
Diameter -B-

## DIMENSIONS

Bushing Size	List Price \$	Dimensions - Inches						Installation Screw			
		A	B	D	E	L	M	Min.	Max.	Qty	Size
JS	144.00	1	5 5/32	7 1/4	2 3/8	3 3/8	6 1/4	2 7/16	4 7/16	3	5/8-11NC X 2-1/2
MS	288.00	1 3/16	6 1/2	9 1/8	3 5/8	4 13/16	7 7/8	3 7/16	5 7/16	4	3/4-10NC X 3
NS	504.00	1 1/2	7	10	4 1/2	6	8 1/2	3 15/16	6	4	7/8-9NC X 3-1/2
PS	756.00	1 1/2	8 1/4	11 3/4	5	6 1/2	10	4 15/16	7	4	1-8NC X 4
WS	1332.00	1 3/4	10 7/16	15	5 1/2	7 1/4	12 3/4	5 7/16	8 1/2	4	1 1/8-7NC X 5
SS	*	2	12 1/8	17 3/4	6 3/4	8 3/4	15	4 15/16*	10*	5	1 1/4-7NC X 5

\* Stocked in rough bore only. Can be rebored from 4-15/16" to 10" max. Contact Maska for price and delivery

## STANDARD STOCK BORES

Bushing	Stock Bore	Keyseat	Approx. Weight (lbs.)
JS	2 7/16	5/8 x 5/16	20.0
	2 15/16	3/4 x 3/8	18.1
	3 7/16	7/8 x 7/16	15.9
	3 15/16	1 x 3/8**	14.3
	4 7/16	1 x 1/8**	11.5
MS	3 7/16	7/8 x 7/16	41.2
	3 15/16 · 4 7/16	1 x 1/2	35.3
	4 15/16 · 5 7/16	1 1/4 x 1/4**	28.4
NS	3 15/16 · 4 7/16	1 x 1/2	59.4
	4 15/16	1 1/4 x 5/8	46.5
	5 7/16	1 1/4 x 1/4**	43.9
	5 15/16 · 6	1 1/2 x 1/8**	38.9
PS	4 15/16 · 5 7/16	1 1/4 x 5/8	84.8
	5 15/16 · 6	1 1/2 x 3/4	77.9
	6 7/16 · 6 1/2	1 1/2 x 1/4**	69.5
	6 15/16 · 7	1 3/4 x 1/8**	60.9
WS	5 7/16	1 1/4 x 5/8	172.3
	5 15/16 · 6 7/16 · 6 1/2	1 1/2 x 3/4	156.4
	6 15/16 · 7 · 7 1/2	1 3/4 x 3/4	138.6
	7 15/16 · 8 · 8 7/16 · 8 1/2	2 x 1/4**	116.5
SS	4 15/16RB*	None	280.0

\* Stocked in rough bore only. Can be rebored from 4-15/16" to 10" max.

\*\* Shallow keyseat. Key provided with these sizes only.

Note: Refer to QD Bushing Mounting page for installation instructions. (pg.11)