

# “QD” WELD-ON HUBS

Usage: For many applications, such as conveyor drum pulleys, rotors, plate sprockets, impellers, etc.



## DID YOU KNOW THAT...

Maska QD weld-on hubs are made of low carbon steel for its excellent welding properties, and are compatible with all standard QD bushings, with the exception of SD.

## HOW TO ORDER

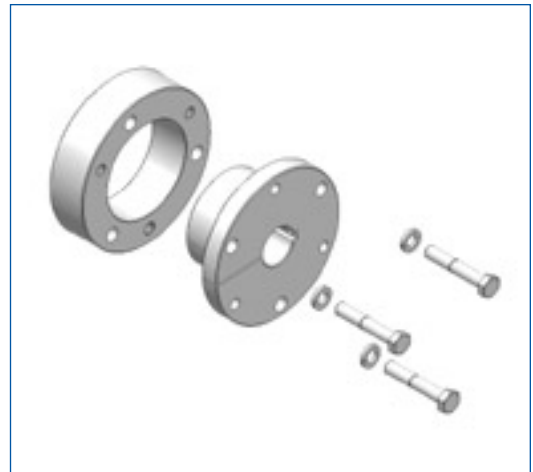
EXAMPLE: **H-M**

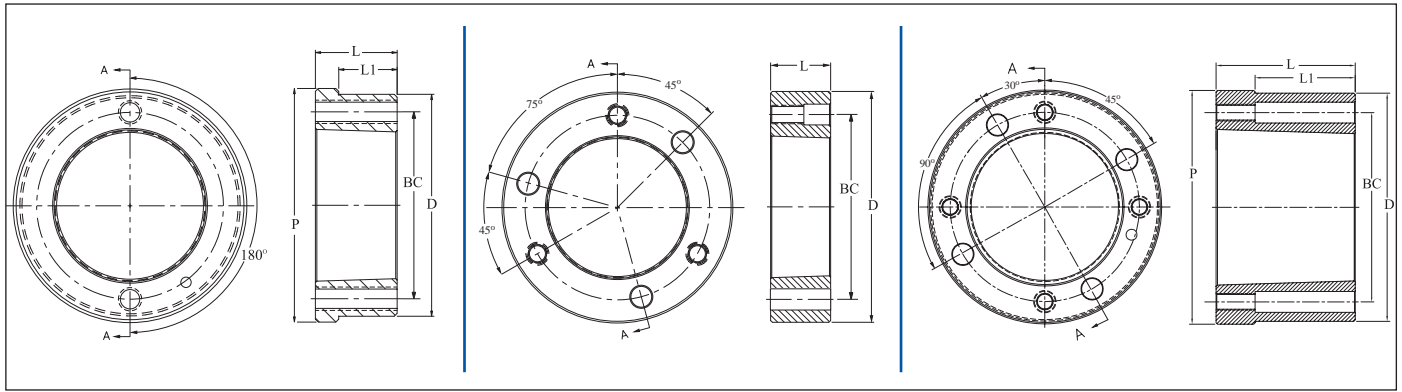
**H**

**M**

**H:** QD WELD-ON HUB

**M:** HUB SIZE (RELATED TO QD BUSHING)





Type 1

Type 2

Type 3

## DIMENSIONS

| Part No.         | List Price \$ | Fits Bushing | Type | Dimensions - Inches |      |       |      |         | Bore Range       | Approx. Weight |
|------------------|---------------|--------------|------|---------------------|------|-------|------|---------|------------------|----------------|
|                  |               |              |      | D*                  | L    | P     | L1   | BC      |                  |                |
| H-L              | 9.00          | L            | 1    | 2.375               | 0.88 | 2.50  | 0.17 | 2       | 3/8 to 1 1/2"    | 0.6            |
| H-CL             | 9.00          | L            | 1    | 2.375               | 0.88 | 2.50  | 0.63 | 2       | 3/8 to 1 1/2"    | 0.6            |
| H-JA             | 9.00          | JA           | 2    | 2.250               | 0.56 | ...   | ...  | 1 21/32 | 1/2 to 1 1/4"    | 0.4            |
| H-SH             | 15.00         | SH           | 2    | 3.000               | 0.81 | ...   | ...  | 2 1/4   | 1/2 to 1 11/16"  | 1              |
| H-SDS            | 14.00         | SDS          | 2    | 3.500               | 0.75 | ...   | ...  | 2 11/16 | 1/2 to 2"        | 1.2            |
| H-SK             | 27.00         | SK           | 2    | 4.375               | 1.25 | ...   | ...  | 3 5/16  | 1/2 to 2 5/8"    | 3              |
| H-SF             | 35.00         | SF           | 2    | 5.000               | 1.25 | ...   | ...  | 3 7/8   | 1/2 to 2 15/16"  | 4              |
| H-E              | 72.00         | E            | 2    | 6.250               | 1.63 | ...   | ...  | 5       | 7/8 to 3 1/2"    | 8.3            |
| H-F              | 120.00        | F            | 2    | 7.000               | 2.50 | ...   | ...  | 5 5/8   | 1 to 4"          | 15.5           |
| H-J              | 175.00        | J            | 2    | 7.750               | 3.19 | ...   | ...  | 6 1/4   | 1 7/16 to 4 1/2" | 22.7           |
| H-M              | 310.00        | M            | 3    | 9.250               | 5.19 | 9.50  | 3.56 | 7 7/8   | 2 to 5 1/2"      | 50             |
| H-N              | 460.00        | N            | 3    | 10.250              | 6.25 | 10.50 | 4.50 | 8 1/2   | 2 3/4 to 6"      | 77             |
| H-P <sup>~</sup> | 1460.00       | P            | 2    | 13.000              | 7.25 | ...   | ...  | 10      | 2 15/16 to 7"    | 155            |
| H-W <sup>~</sup> | 2300.00       | W            | 2    | 15.500              | 9.00 | ...   | ...  | 12 3/4  | 4 1/4 to 8 1/2"  | 260            |

Mounting: **Type 1:** Reverse mount only    **Type 2 & 3:** Standard and Reverse mount    <sup>~</sup>: Standard mount only  
 \*Tolerance: **H-L & H-CL** = (+0.001"/-0.005")    **H-JA thru H-J** = (+0.000"/-0.002")    **H-M thru H-W** = (+0.000"/-0.003")